



INSTALLATION INSTRUCTIONS #INST233:

REALTRUCK BACKRACK KIT #30112LP

2004-2014 Ford F-150

READ THIS NOW!

Your truck should look like the one shown. If you think you are missing any parts, think that this part number is not for your truck or have any installation question, call our customer service department at toll free:

888-588-6101 or locally 800-265-8137.

Other ways to reach RealTruck Backrack:

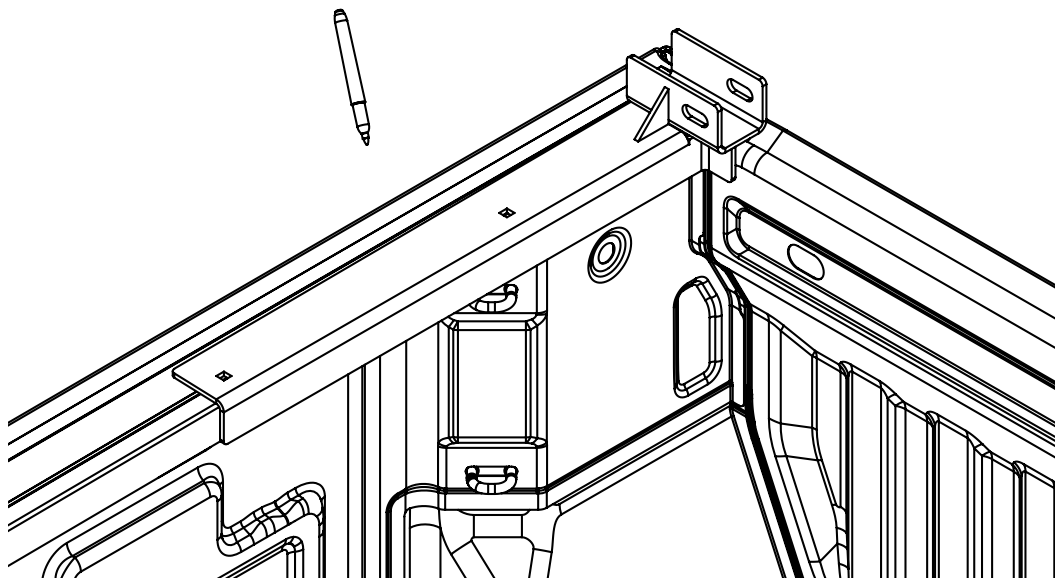
email: info@backrack.ca

Support@backrack.com



The RealTruck Backrack is secured to your truck with a pair of "Stake Pocket Bolts" specifically designed for your make and model of truck. These bolts mount into each of the two front stake pockets. The RealTruck Backrack assembly sits on the bed rails of your truck and is secured to these Stake Pocket Bolts. If your truck has a BEDLINER we suggest you remove it to install the Stake Pocket Bolts

Place Low Profile Bracket into position on the truck as shown. Ensure that the bracket is firmly against the side and front of the bed as shown. Mark the mount holes on the bed of your truck.

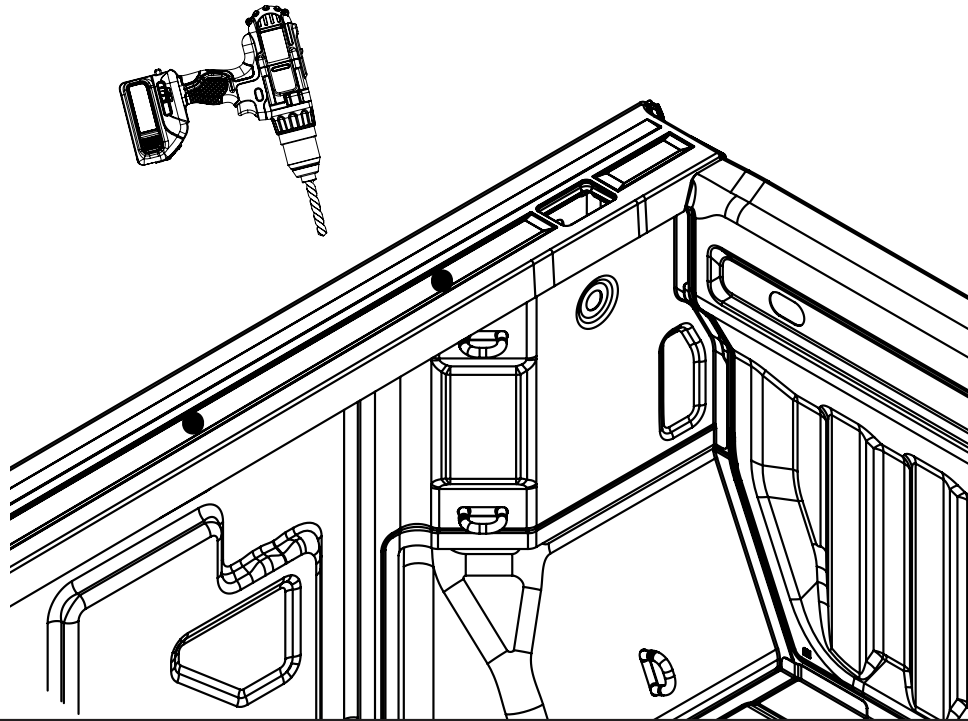


FOR MORE INFORMATION SCAN HERE!



****USE EXTREME CAUTION WHEN DRILLING****

Improper drilling can cause damage to your truck bed and/or cab.
Drill the holes by first drilling a pilot hole (1/8") and then drilling to 7/16"



1

Install rail mount brackets, Driver and passenger side using supplied shoulder bolts, washers, lock washers and nuts, do not fully tighten. Place the RealTruck Backrack into channels and install bolt as shown. Center the rack on the truck and fully tighten all fasteners evenly.

****NOTE****

Install 1/2" carriage bolt in the direction as shown, failure to do so could damage the truck.

