

INSTALLATION INSTRUCTIONS

REALTRUCK BACKRACK KIT #30103, 30103TB, 30103TB31
68-98 Chev/GMC CK Series, 68-93 Dodge P/U, 75-83 Ford P/U

READ THIS NOW!

Your truck should look like the one shown. If you think you are missing any parts, think that this part number is not for your truck or have any installation question, call our customer service department at toll free:

888-588-6101 or locally 800-265-8137.

Other ways to reach RealTruck Backrack:

email: info@backrack.ca

Support@backrack.com



The RealTruck Backrack is secured to your truck with a pair of "Stake Pocket Bolts" specifically designed for your make and model of truck. These bolts mount into each of the two front stake pockets. The RealTruck Backrack assembly sits on the bed rails of your truck and is secured to these Stake Pocket Bolts. If your truck has a BEDLINER we suggest you remove it to install the Stake Pocket Bolts

PARTS LIST FOR KIT #30103

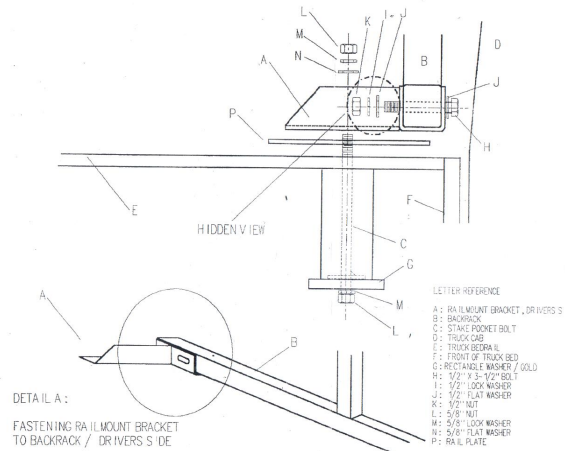
PART	DESCRIPTION	QTY
RP503S	Rail Plates	2
RMB802D	Rail Mount Bracket Driver	1
RMB802P	Rail Mount Bracket Passenger	1
HARDWARE BAG503A		
B32714	Sealed Bag Fasteners	1
FYZ016	5/8-11 Hex Nut Gr 2	4
FYZ017	5/8 Lockwasher	4
FYZ018	5/8 Sae Flat Washer	2
FYZ024	Rectangle Spacer Plate	2
SF017	Foam Pad	2
HARDWARE BAG503B		
SBY503S	Stake Pocket Bolt	2

PARTS LIST FOR KIT #30103TB, 30103TB31

PART	DESCRIPTION	QTY
TB502D	Toolbox Bracket Driver	1
TB502P	Toolbox Bracket Passenger	1
OR		
TB903D	31" Toolbox Bracket Driver	1
TB903P	31" Toolbox Bracket Passenger	1
HARDWARE BAG502		
B32714	Sealed Bag Fasteners	1
FYZ009	1/2-13 Hex Nut Gr 2 Yellow Zinc	4
FYZ010	1/2 Lockwasher Yellow Zinc	4
FYZ012	1/2 Bs Fl Washer - Yellow Zinc	2
FYZ023	1/2-13 Threaded Sq. Washer Yellow	2
SBY502PC	Stake Pocket Bolt	1
SBY503DC	Stake Pocket Bolt	1

1 Install the Stake Pocket Bolts into the two front stake pockets

1. The short section of thread will protrude through the hole in the bottom of stake pocket.
2. The flat steel acts as a foot and sits on the bottom of the stake pocket.
3. You will need to wiggle the bolt through the hole. It will not drop through as it is a tight fit.
4. Secure to stake pocket using large gold rectangle washer fastened under stake pocket.
5. Secure rectangle washer under stake pocket with 5/8" lock washer and nut.



2 Place Railplates on bed rail, over stake pocket bolts.

1. Apply the black adhesive foam to one side of the Rail Plates. Cut foam into smaller pieces.
2. Place Rail Plate onto bed rail. The thread of the Stake Pocket Bolt will protrude through hole.

3 Attach the Railmount Brackets to the RealTruck Backrack Frame

1. Drop the tailgate and lay the RealTruck Backrack on the tailgate (decals up) with long tube nearest you.
2. Slide Railmount Bracket on to end of tube so the oblong slot aligns with hole in end of tube.
3. Secure to RealTruck Backrack with 'W' bolt assembly (1/2" x 3-1/2" Bolt, lock washer, flat washer, nut).
4. Do not tighten at this time. Keep loose for adjustment later in installation.
5. There is a LH & RH Railmount Bracket.

4 Place RealTruck Backrack assembly with Railmount Brackets attached on to bed rail

1. Place the RealTruck Backrack assembly on the bed rails. It will be sitting on the Rail Plates.
2. The threaded portion of the Stake Pocket Bolt will be protruding through the holes.
3. Secure the assembly to the truck using the 5/8" flat washer, lock washer and nut.
4. **DO NOT OVER TIGHTEN!** Sheet metal is thin and will crush if over tightened.
5. Tighten until the lock washer begins to compress. Use your discretion.

5 Center RealTruck Backrack behind cab and tighten all fasteners

1. Stand at the rear of the truck and visually center the RealTruck Backrack behind the cab.
2. Finish the installation by tightening all nuts and bolts.
3. **DO NOT OVERTIGHTEN THE STAKE POCKET BOLTS.**
4. The W bolt assembly should be tightened as firmly as possible with an extension handle.