

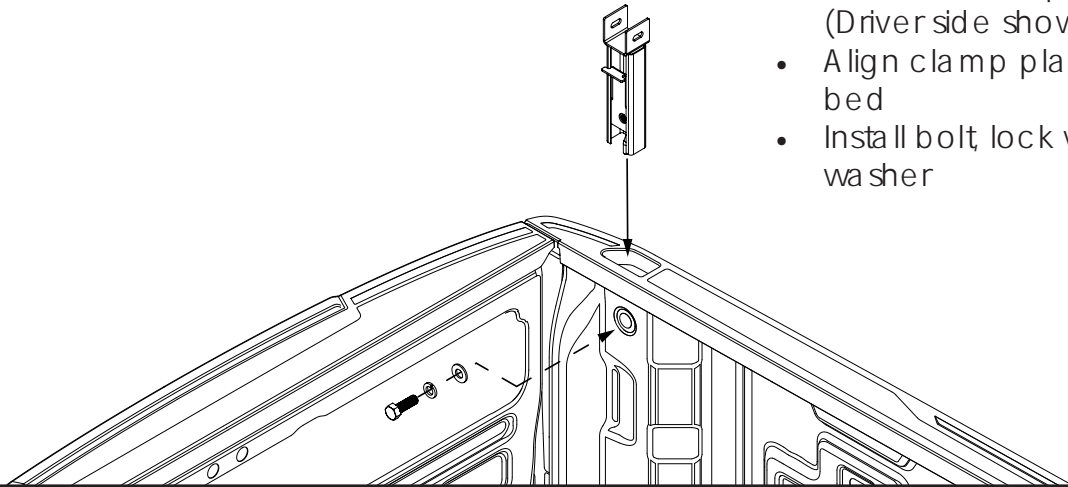


# BACKRACK™

FUNCTION AND STYLE FOR TODAY'S TRUCKS

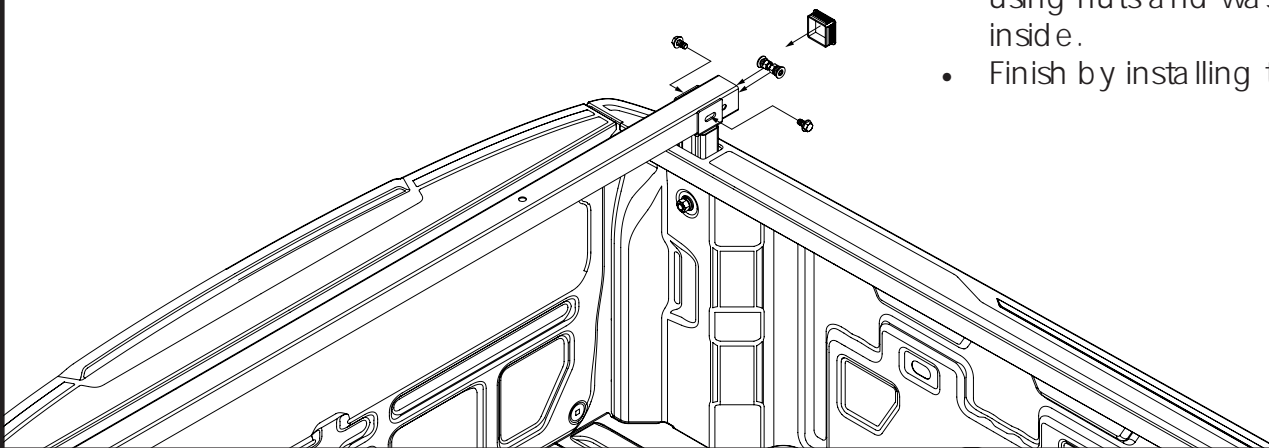
2

- Install driver and passenger side rear bar stake pocket channels. (Driver side shown)
- Align clamp plate to hole in truck bed
- Install bolt, lock washer and flat washer



3

- Install rear bar, center between rear bar channels
- Bolt from each side as shown using nuts and washers on the inside.
- Finish by installing trim cap.



4

- Install tie downs to center holes as shown in diagram using nuts and washers.

